

LED.PowerSpot 15W LED

15W E27 PAR38 Lamp



Product Overview

An LED reflector lamp that provides maximum energy savings, which is a replacement for common halogen PAR38 lamps. Suitable for accent and general lighting applications in hospitality, commercial and domestic settings.

Features

- Save energy up to 85% compared with halogen lamp.
- Direct replacement of PAR38 halogen lamp.
- High lumen output.
- Long life of 30,000h.
- Instant start.
- Negligible UV output.
- Mercury free.

Safety and Maintenance

- Switch off supply before installing or removing lamp. Allow to cool before handling.
- Do not directly expose to water.
- Do not use in totally enclosed fittings as this will reduce lamp life.
- Do not dispose of in household waste.
- Dispose of in appropriate section of local civic amenity site or recycling centre.

Specifications

Product Code	KTC15P38/E27-S30	KTC15P38/E27-S50
Lamp Cap	E27	E27
Lamp Shape	PAR38	PAR38
Nominal Power (W)	15	15
Voltage	220-240Vac 50/60Hz	220-240Vac 50/60Hz
Current (mA)	121	121
Nominal Useful Luminous Flux (lm)	690	890
Total Luminous Flux (lm)	750	950
CCT (K)	3000K Warm White	5000K Day Light
Nominal Lifetime (h)	30000	30000
Beam Angle (°)	25	25
Dimmable	No	No
Switching Cycles	50000	50000
Warm-up time to 60% (S)	Instant full light	Instant full light
Suitable for Accent Lighting	Yes	Yes
Length (mm)	129.0	129.0
Diameter (mm)	120.0	120.0
Mercury (mg)	0	0
Clean-up instructions	N/A	N/A
Retrofit	Yes	Yes
Equivalent Wattage (W)	82	104
Rated Power (W)	15.0	15.0
Rated Useful Luminous Flux (lm)	690	890
Rated Lifetime (h)	30000	30000
Power Factor	0.54	0.54
Rated Peak Candelas (cd)	3500	4300
Lumen Maintenance Factor at Nominal Lifetime	0.75	0.75
SDCM of CCT	<6	<6
CRI	82	84
Start Time (s)	0.10	0.10
Ambient Temperature Range (°C)	-20 to 40	-20 to 40

Notes: The Useful Luminous Flux quoted is for the output within a 90° cone as per the EU implementing directive on ecodesign requirements for directional lamps.

Energy Label

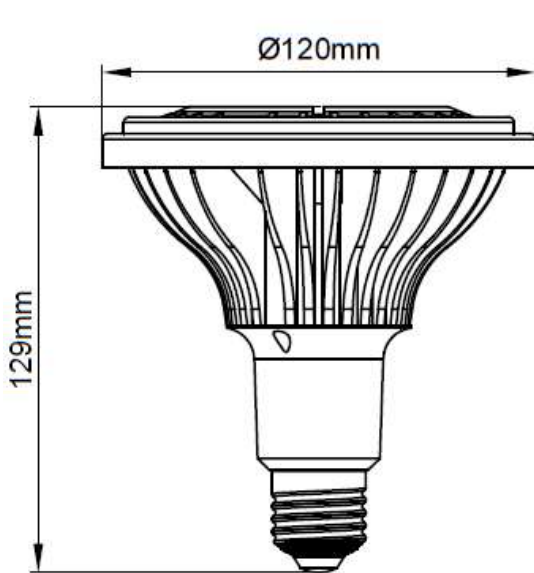
Manufacturer	Kosnic	Kosnic
Product Code	KTC15P38/E27-S30	KTC15P38/E27-S50
Energy Class	A	A
Energy Consumption (kWh/1000h)	15.00 (15)	15.00 (15)

Notes: The kWh/1000h value published on the energy label is required to be rounded up to an integer according to the EU implementing directive on Energy Labelling. The value to 2 decimal places is given for reference.

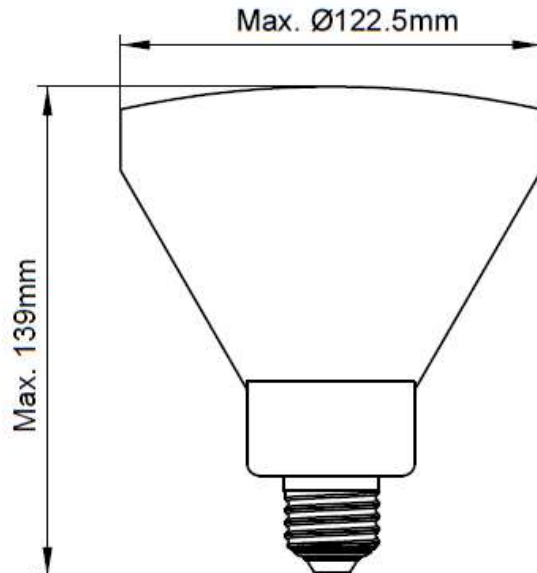
Product Markings

Manufacturer	Kosnic	Kosnic
Product Code	KTC15P38/E27-S30	KTC15P38/E27-S50
Volts (V)	220-240Vac 50/60Hz	220-240Vac 50/60Hz
Nominal Watts (W)	15	15
Current (mA)	121	121
Nominal Useful Luminous Flux (lm)	690	890
CCT (K)	3000	5000
Beam Angle (°)	25	25
CE Mark	Yes	Yes
WEEE Mark	Yes	Yes
Batch Code	Yes	Yes

Dimensions



KTC15P38/E27



PAR38 (IEC 60630)

Photometric Information

3000K

5000K

